

## SmartCam HD Plus SNH-V6417BN



SNH-V6417BN

### Always stay connected to your home

- Small and simple design
- **1080p Full HD** streaming and recording
- High capacity of storage(Max 128GB)
- 130° Ultra-Wide View Angle
- Wide Dynamic Range
- Improved Night Vision
- Lens Distortion Correction



Ultra-Wide Angle Lens



Motion Zone Select



Digital PTZ



Two-way Talk



Motion & Audio Detection



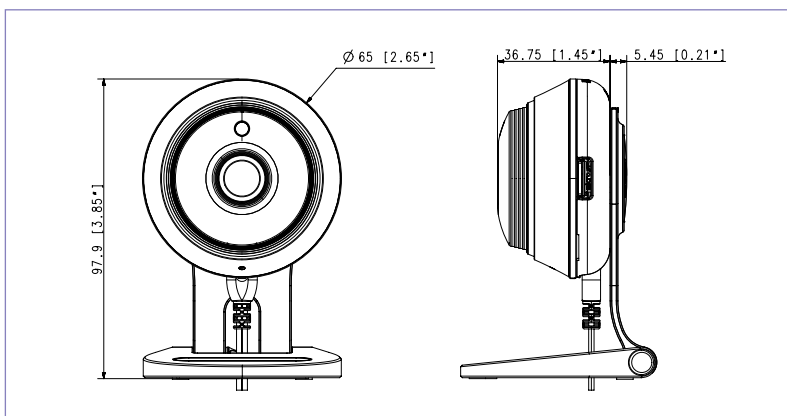
Micro SDXC (Max 128GB)



Night Vision (32ft, 10m)

### Dimensions

Unit : mm (inch)



### Contents

- Quick Guide
- Power Adapter
- Screw and Anchor(2set)
- Warranty Card

## Specifications

SNH-V6417BN	
<b>Video</b>	
Imaging Device	1/3" CMOS
Effective Pixels	1944(H) x 1092(V)
Scanning System	Progressive
Min. Illumination	0.3Lux(Color), 0Lux(Black / White)
<b>Lens</b>	
Focal Length (Zoom Ratio)	2.8mm
Angular Field of View	D : 130° / H : 113° / V : 63°
Focus Control	Fixed Lens
<b>Operational</b>	
IR LED	850nm
Viewable Length	10m
On Screen Display	Time Display Only(on/off)
Day & Night	True D/N
Wide Dynamic Range	HDR
Lens Distortion Correction	Off / On
Contrast Enhancement	Auto
Digital Noise Reduction	Support (2D+3D Noise Filter)
Digital Image Stabilization	N/A
Motion Detection	Off / On
Audio Detection	Off / On
White Balance	Auto
Digital Zoom	4x(Viewer)
Flip / Mirror	Off / On
Intelligent Video Analytics	Motion Zone Selection(3 Motion Zone)
Memory Slot	MicroSDXC Memory Slot (Max 128GB)
<b>Network</b>	
Ethernet	N/A
Wireless	Wi-Fi 802.11b/g/n (Single Band)
Video Compression Format	H.264
Resolution	1920x1080 / 1280x720 / 640x360
Max. Framerate	H.264, 1920x1080 30FPS
Streaming Capability	Multiple Streaming (Up to 4 Profiles)
Audio I/O	Built-in Mic and Speaker
Audio Compression Format	G.711 u-law
Audio Communication	2-way audio / Half duplex
IP	IPv4
Protocol	TCP/IP, UDP/IP, RTP(UDP), RTP(TCP), RTSP, NTP, HTTP, HTTPS, SSL, DHCP, SMTP, ICMP, ARP, DNS, UPnP
Security	HTTPS(SSL) Login Authentication / Digest Login Authentication
Streaming Method	Unicast
Max. User Access	up to 5 users at unicast mode
<b>Environmental</b>	
Operating Temperature / Humidity	0°C - + 40°C(+32°F - +104°F) / 20% - 80% RH
Ingress Protection	Indoor
<b>Electrical</b>	
Input Voltage / Current	5V/2A
Power Consumption	micro-USB Type
<b>Mechanical</b>	
Color / Material	Black / Plastic
Dimension (WxHxD)	Ø65mm x 36.5mm(without bracket)
Weight	137g